
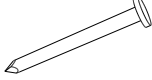
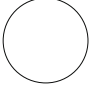

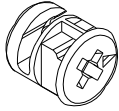
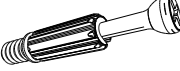
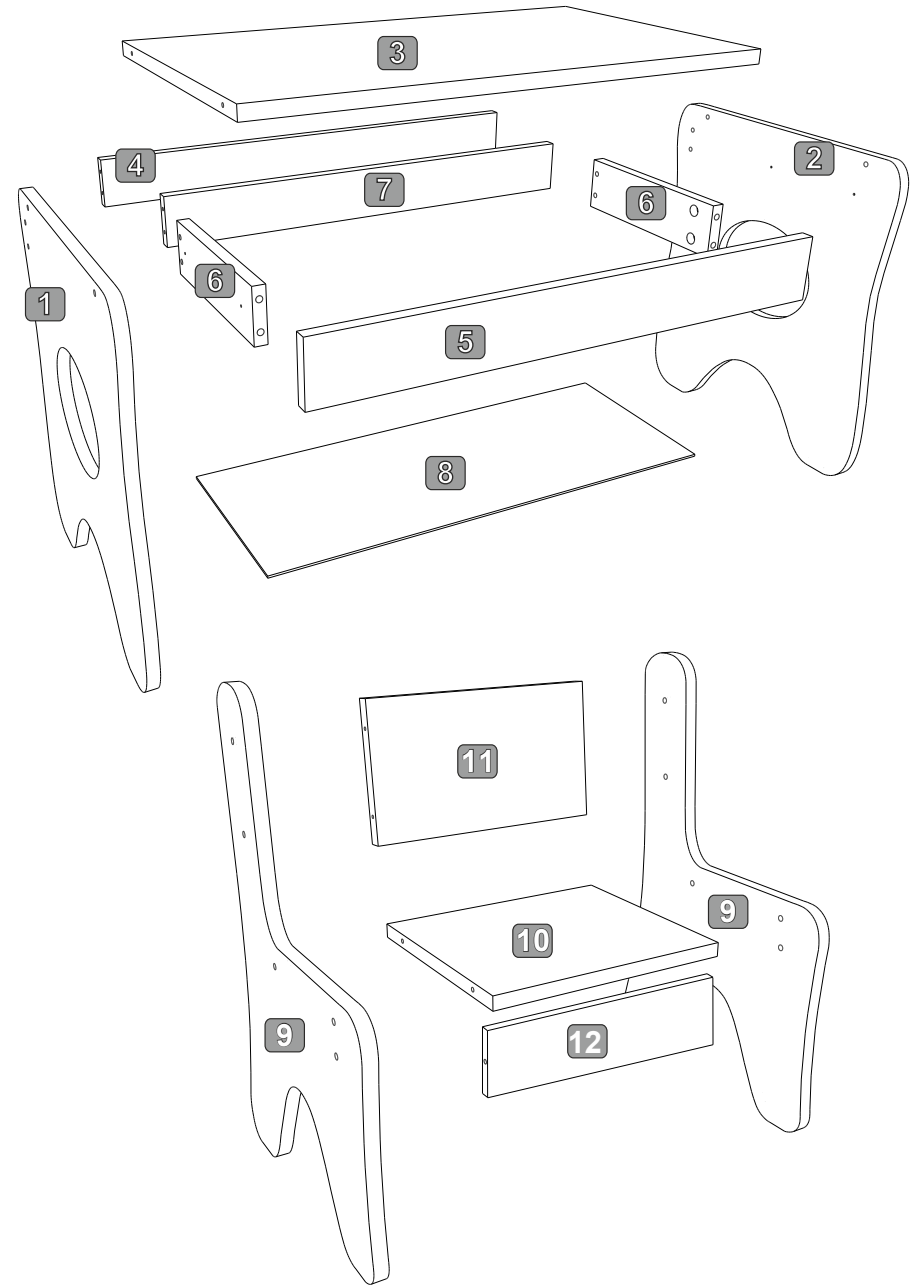


<p><b>W3</b></p>  <p><b>8x</b> <math>\text{\textcircled{O}}3.5 \times 16</math></p>	<p><b>G1</b></p>  <p><b>16x</b></p>	<p><b>ZW1</b></p>  <p><b>22x</b></p>
<p><b>W6</b></p>  <p><b>22x</b> <math>\text{\textcircled{O}}6.3 \times 50</math></p>	<p><b>M1</b></p>  <p><b>4x</b></p>	<p><b>M4</b></p>  <p><b>4x</b></p>



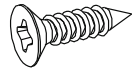
NR	DIM	QTE
1	510x450x16	1
2	510x450x16	1
3	400x670x18	1
4	70x670x16	1
5	80x654x16	1
6	70x250x16	2
7	70x612x16	1
8	310x642x3	1
9	370x550x16	2
10	280x240x18	1
11	280x160x18	1
12	280x64x18	1

0 10 20 30 40 50 60 70 80 90 100 110 120 130 140 150 160 170 180 190 200



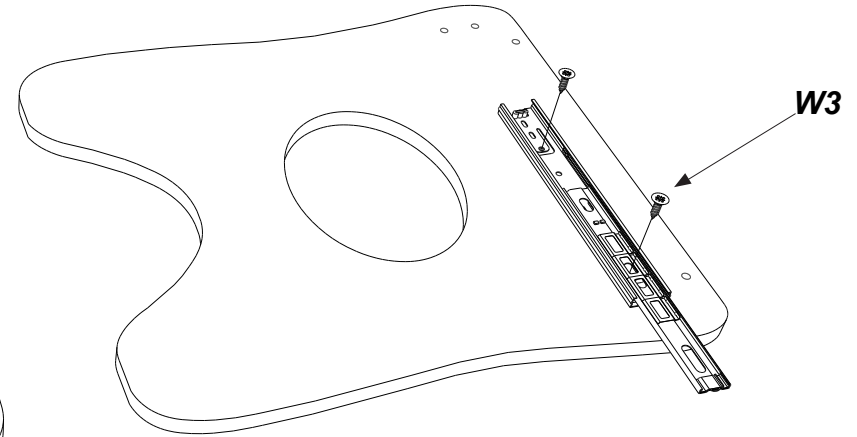
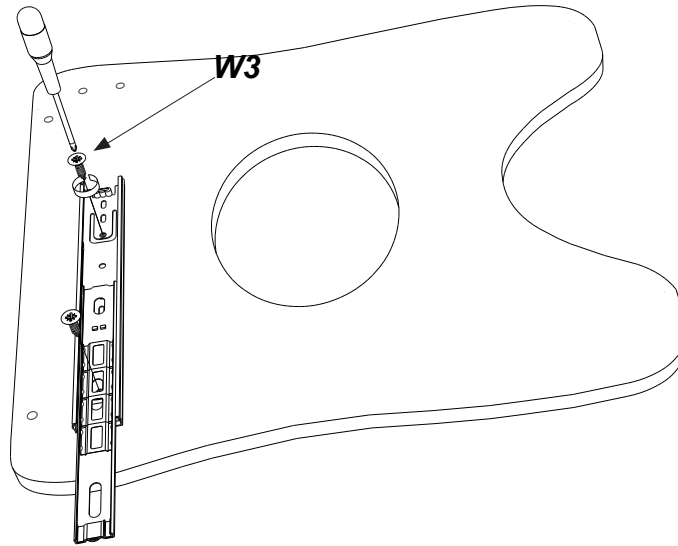
1

W3



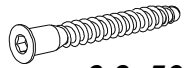
ø3.5x16

4x



2

W6



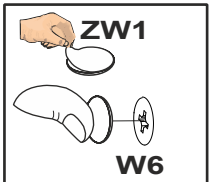
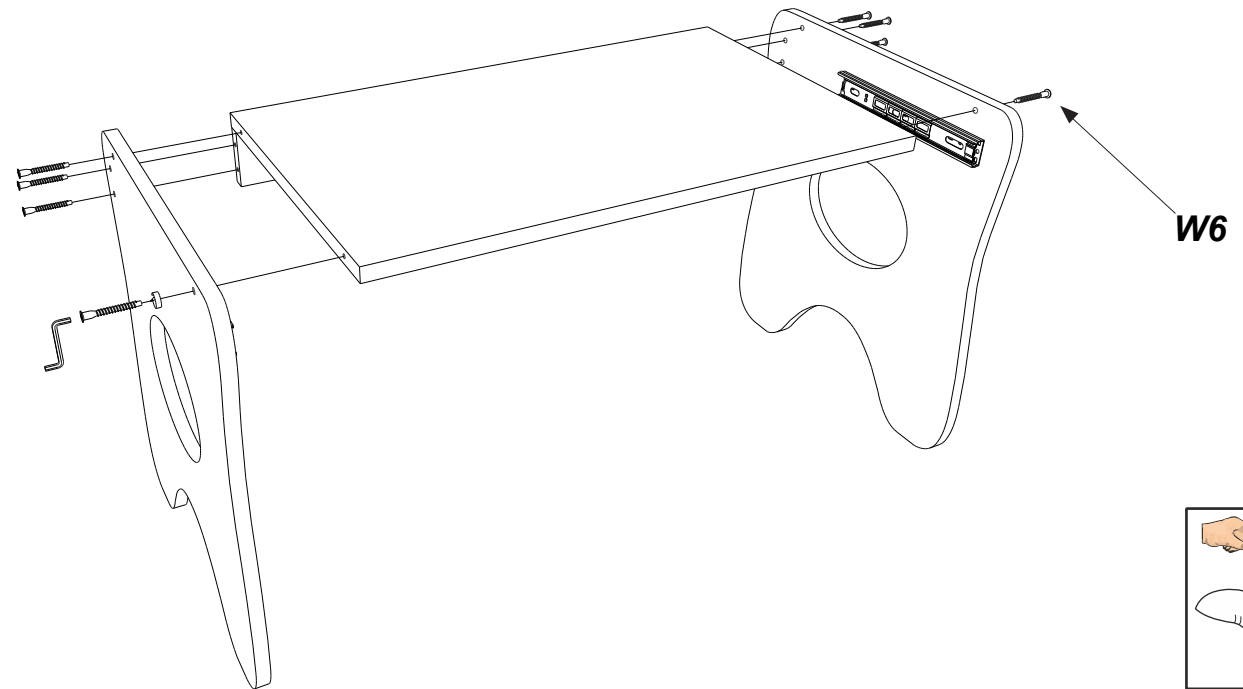
ø6.3x50

8x

ZW1

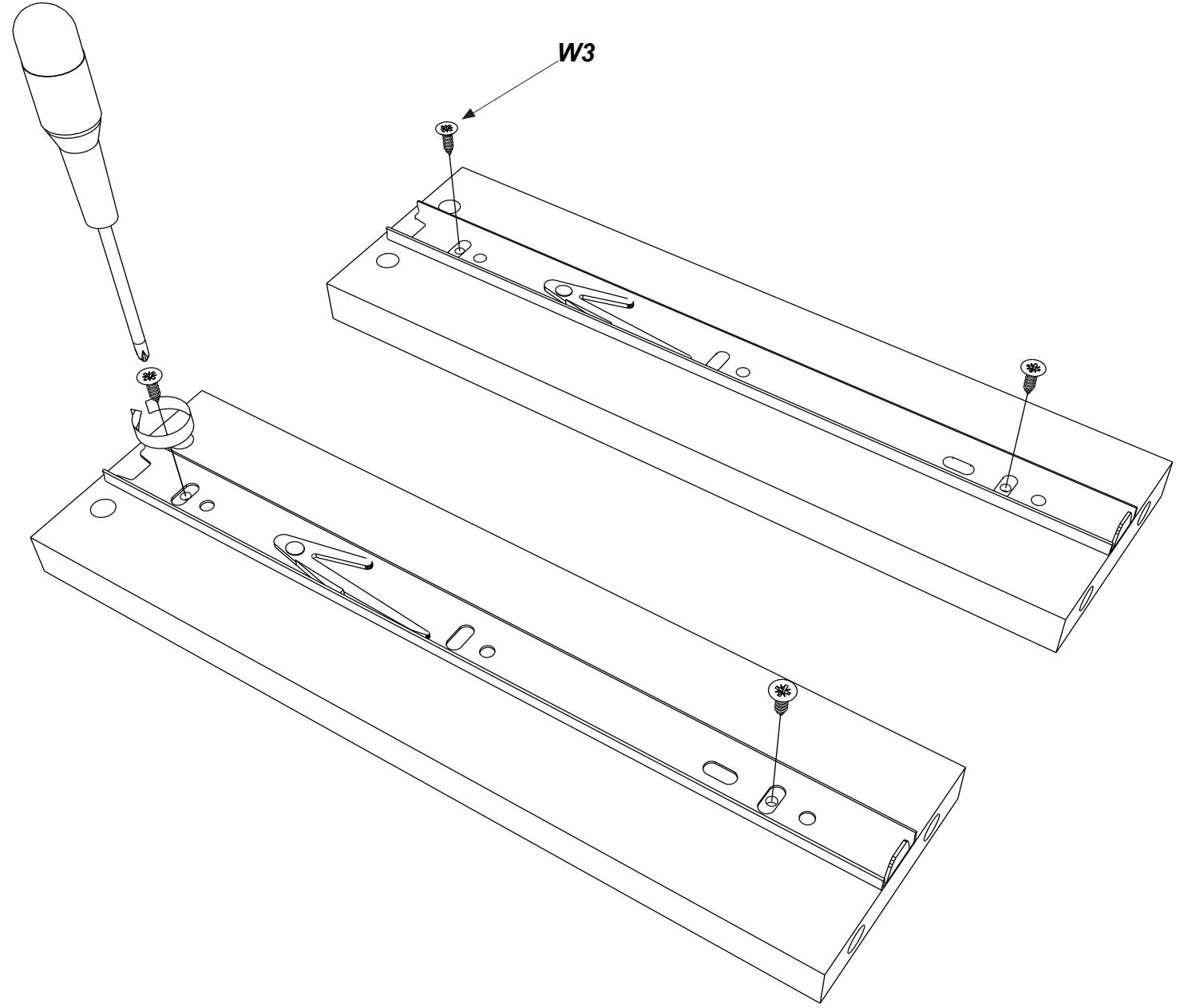
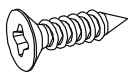


8x

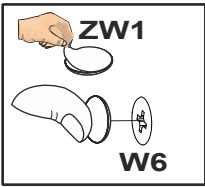
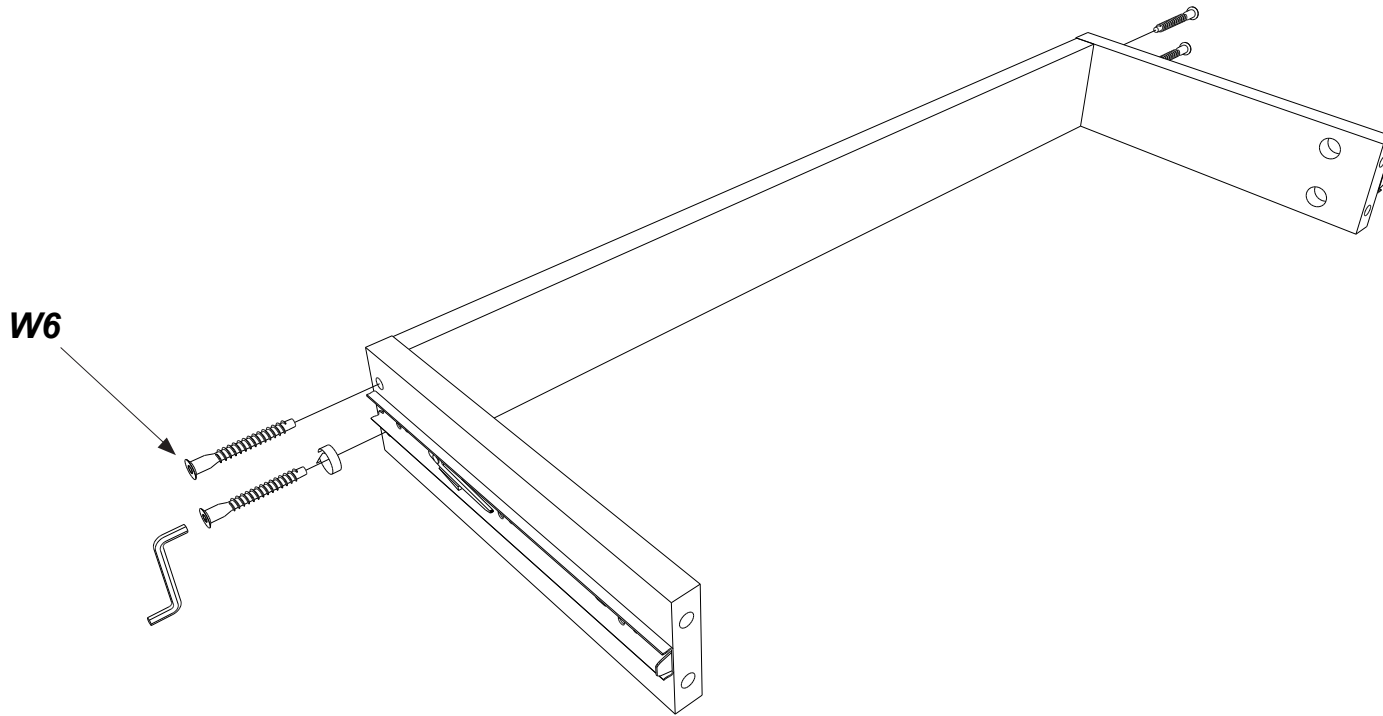
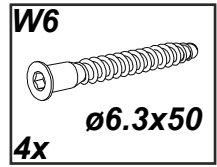


3

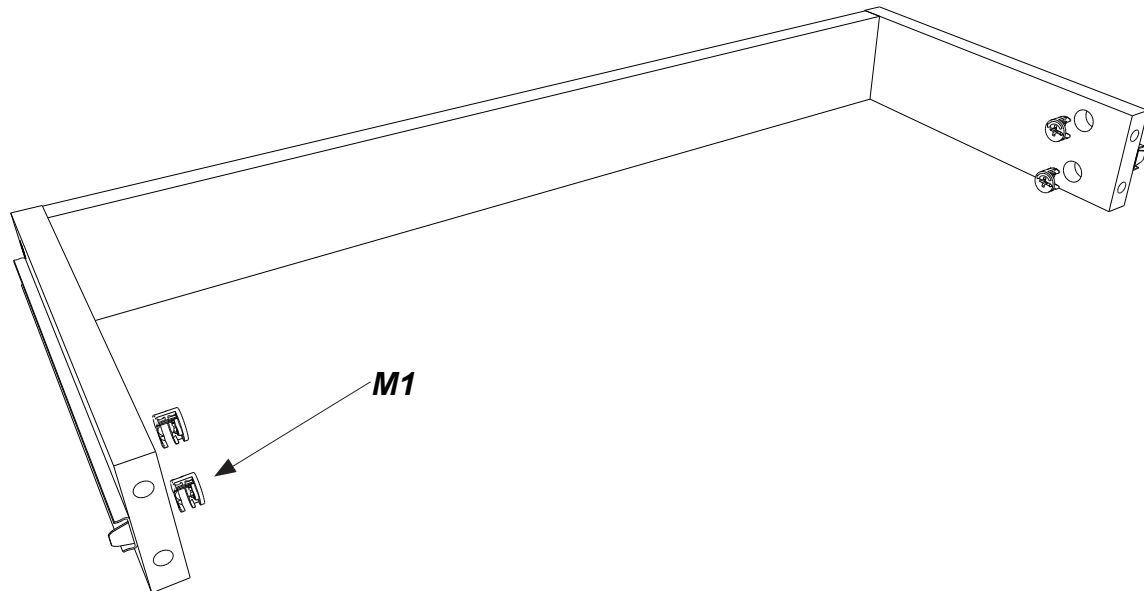
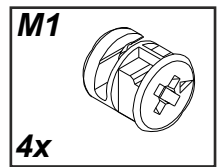
W3  
ø3.5x16  
4x



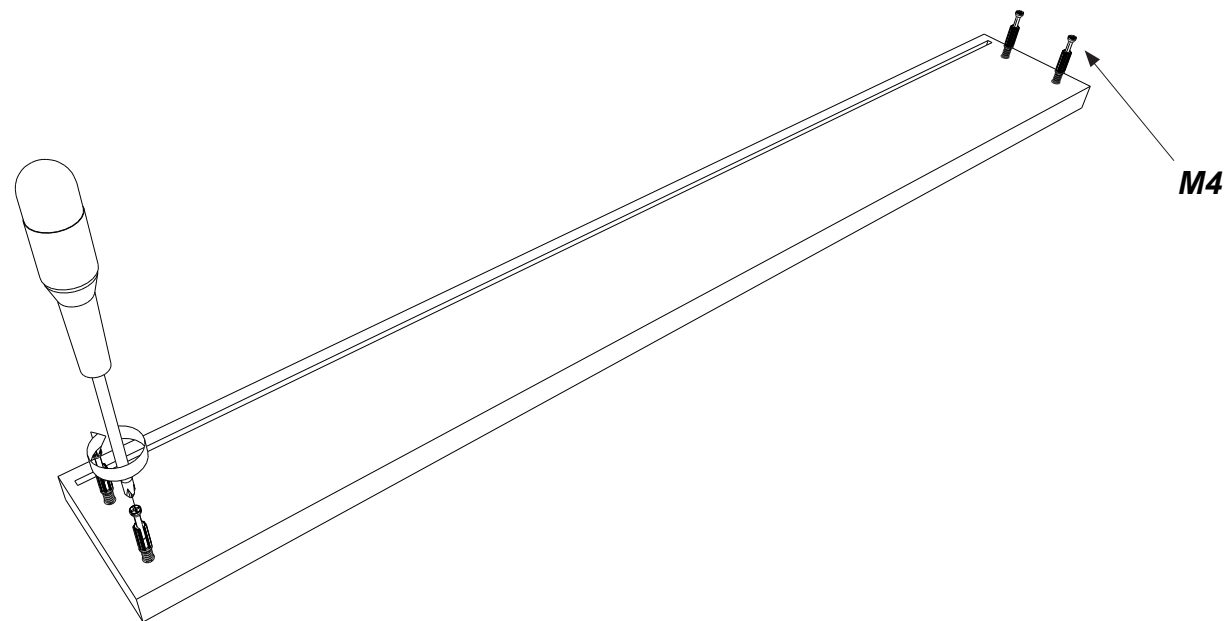
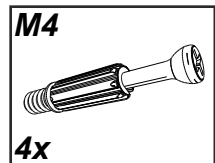
4



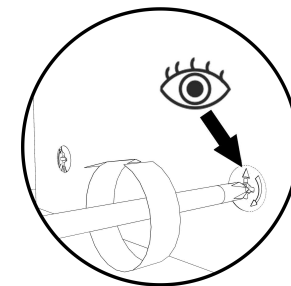
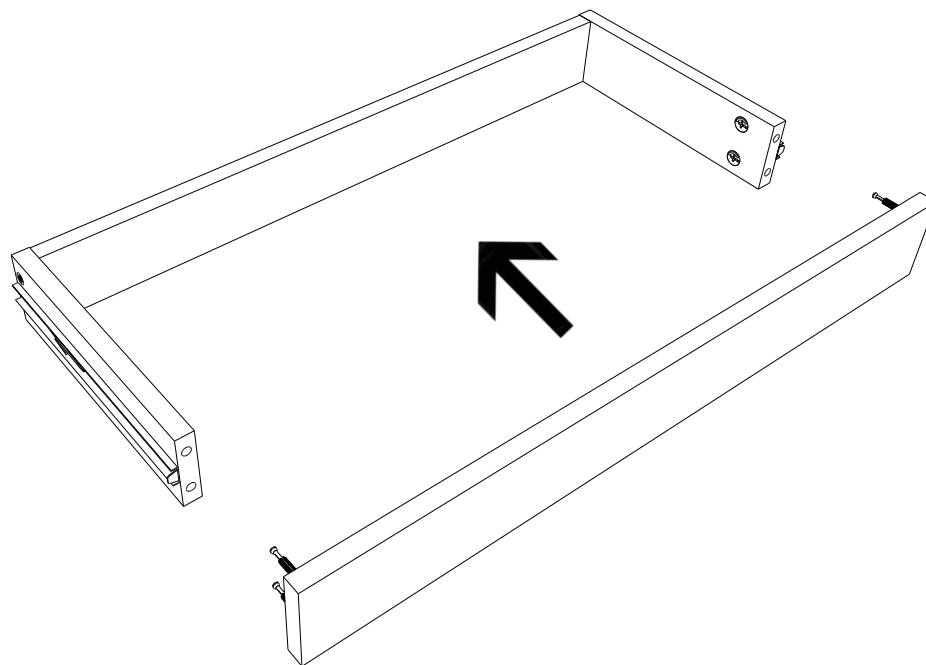
5



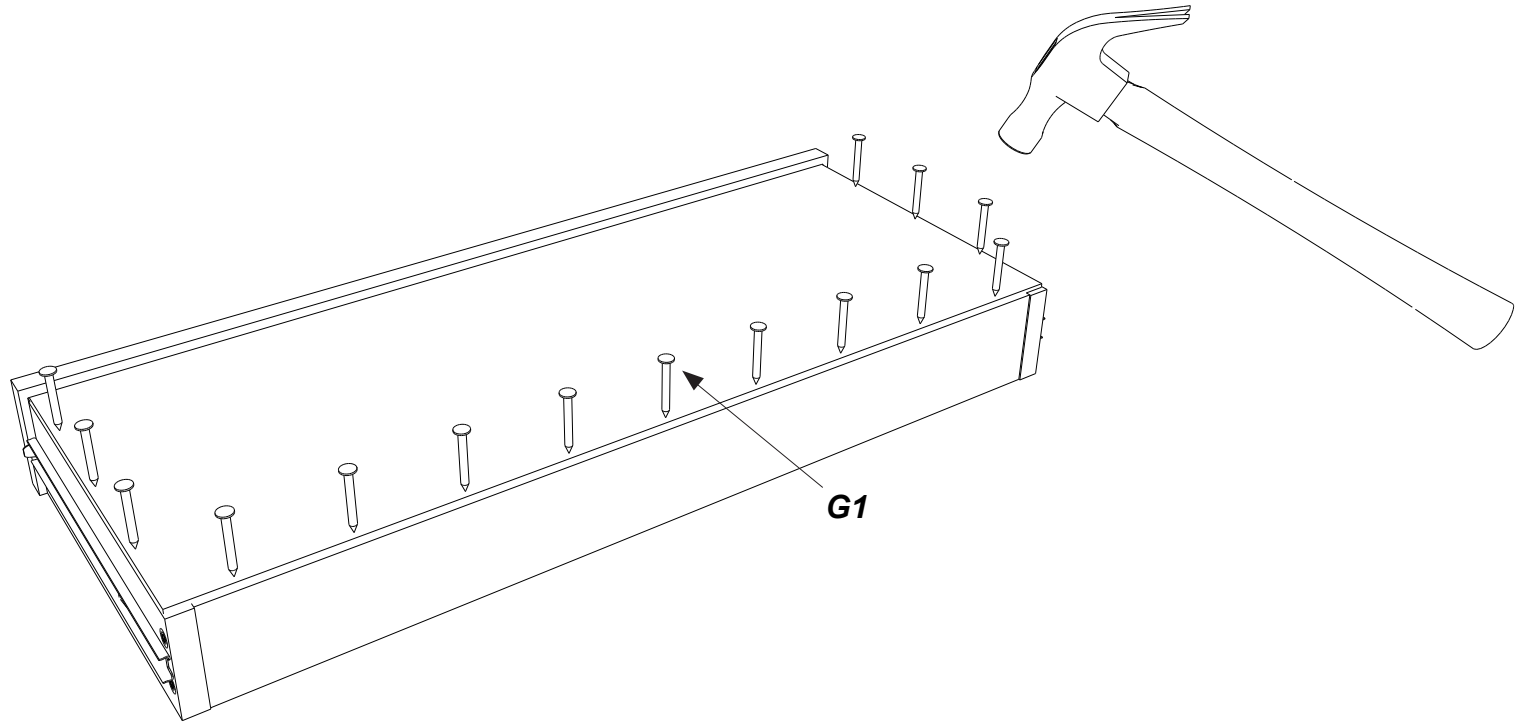
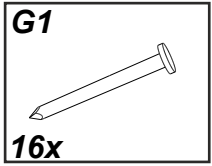
6



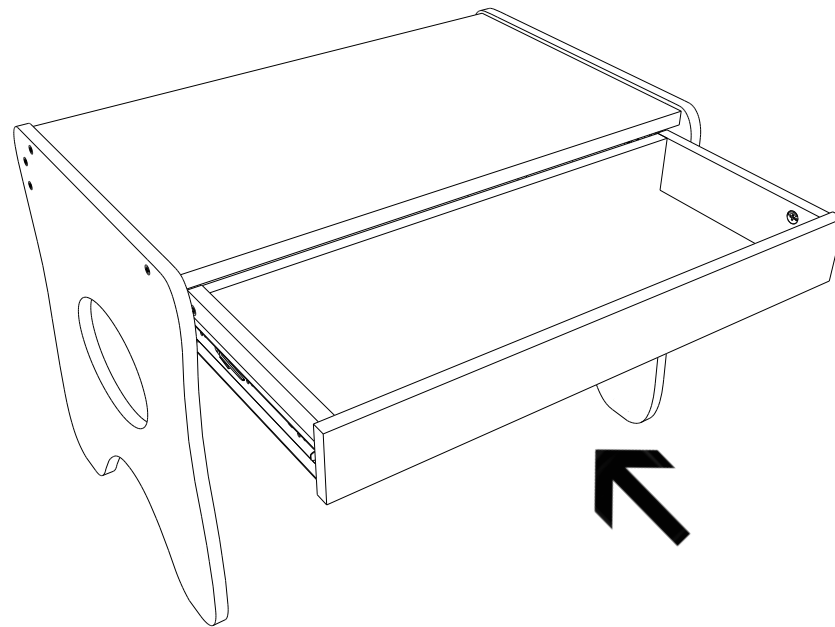
7



8



9



# 10

